

## HPL Global Presence



On Load Cat/001 /2013 / HPL



The Power of Technology

# Distribution System

Wide Range-Variied Application



- **User Friendly**
- **Durable**
- **Elegant**
- **Sleek Design**
- **Money Saver**



### Design

HPL Distribution Systems in Sheet Steel Enclosures are Fabricated with utmost precision. Compact designs have been developed to ensure convenience and ease of installation and operation, They favourably match with the National & International technology.

### Construction

The enclosures are fabricated out of best quality CRCA steel sheet for better strength and finish. The distribution systems are supplied duly fitted with Din channel, neutral link earth bar and bus bar, \*with detachable gland plates. so that the MCB's of desired number and ratings can be fitted conveniently at site, except for one to four pole enclosures, which are only fitted with Din Channel.

### Powder Paint

High quality powder paint coated and baked at high temperature. Before powder coating the housing go through rigorous anti - rust conditioning in eight tank processes to ensure smooth and lasting finish and protection against corrosive atmosphere. All type of DB's are available in Single and Two tone colour.

HPL Elegant Distribution Systems are designed with the best combination of engineering technology and aesthetic to suit various applications.

All DB's available with / without Miniature Circuit Breakers. Fit Rakshak (6kA) or Techno (10kA) MID-TRIP as per your choice & requirement.

Single Phase and Neutral Sheet Steel Powder Coated Distribution System for MCB, fitted with Bus Bar, Neutral Link, Earth Bar and Din Rail. Suitable for use on 240/415V, 50 Hz Supply.

| Ways | Item Code | To Accommodate |
|------|-----------|----------------|
| 04   | EXDBSD04  | 04 Nos. SP MCB |
| 06   | EXDBSD06  | 06 Nos. SP MCB |
| 08   | EXDBSD08  | 08 Nos. SP MCB |
| 12   | EXDBSD12  | 12 Nos. SP MCB |
| 16   | EXDBSD16  | 16 Nos. SP MCB |

### Dimension Details

| Ways | A   | B   | C  | D   | E   | F   | G   |
|------|-----|-----|----|-----|-----|-----|-----|
| 04   | 154 | 204 | 63 | 140 | 190 | 90  | 140 |
| 06   | 189 | 204 | 63 | 175 | 190 | 125 | 140 |
| 08   | 224 | 204 | 63 | 210 | 190 | 160 | 140 |
| 12   | 294 | 204 | 63 | 280 | 190 | 230 | 140 |
| 16   | 364 | 204 | 63 | 350 | 190 | 300 | 140 |

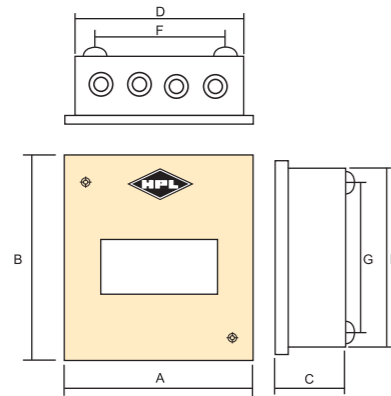
Three Phase and Neutral Sheet Steel Powder Coated Distribution System, fitted with Bus Bar, Neutral Link, Earth Bar and Din Rail. Suitable for use on 240/415V, 50 Hz Supply.

| Ways | Item Code | To Accommodate |
|------|-----------|----------------|
| 04   | EXDBTD04  | 12 Nos. SP MCB |
| 06   | EXDBTD06  | 18 Nos. SP MCB |
| 08   | EXDBTD08  | 24 Nos. SP MCB |
| 12   | EXDBTD12  | 36 Nos. SP MCB |

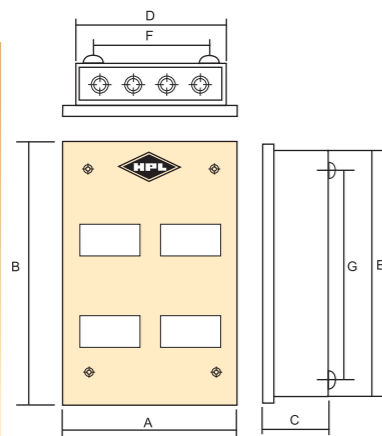
### Dimension Details

| Ways | A   | B   | C  | D   | E   | F   | G   |
|------|-----|-----|----|-----|-----|-----|-----|
| 04   | 264 | 394 | 63 | 250 | 380 | 180 | 310 |
| 06   | 334 | 394 | 63 | 320 | 380 | 260 | 310 |
| 08   | 404 | 394 | 63 | 390 | 380 | 330 | 310 |
| 12   | 544 | 394 | 63 | 530 | 380 | 460 | 310 |

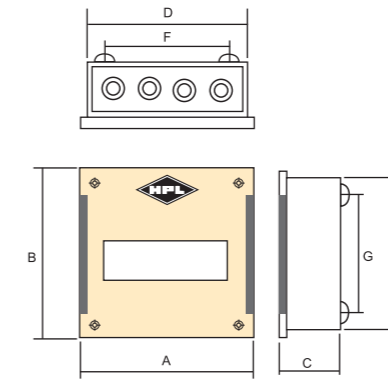
### EX Series Distribution System - SP & N



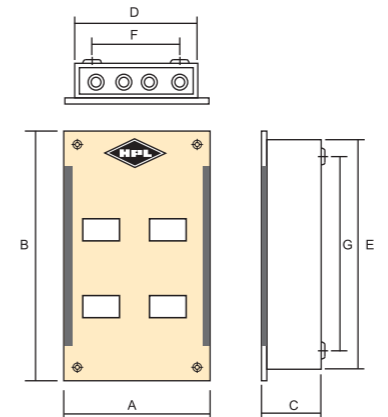
### EX Series Distribution System - TP & N



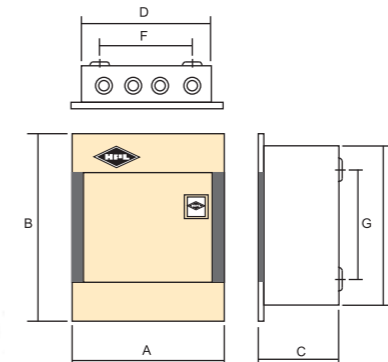
### DX Series Distribution System - SP & N



### DX Series Distribution System - TP & N



### Versatile Double Door SP & N Distribution



Single Phase & Neutral Sheet steel, powder coated DB's for MCB's, fitted with Bus Bar, Neutral Link, Earth Bar and Din Rail (confirms to IS : 13032 - 1991)

| Ways | Item Code | To Accommodate |
|------|-----------|----------------|
| 04   | DXDBSD04  | 04 Nos. SP MCB |
| 06   | DXDBSD06  | 06 Nos. SP MCB |
| 08   | DXDBSD08  | 08 Nos. SP MCB |
| 12   | DXDBSD12  | 12 Nos. SP MCB |
| 16   | DXDBSD16  | 16 Nos. SP MCB |

### Dimension Details

| Ways | A   | B   | C  | D   | E   | F   | G   |
|------|-----|-----|----|-----|-----|-----|-----|
| 04   | 154 | 224 | 63 | 140 | 210 | 90  | 160 |
| 06   | 189 | 224 | 63 | 175 | 210 | 125 | 160 |
| 08   | 224 | 224 | 63 | 210 | 210 | 160 | 160 |
| 12   | 294 | 224 | 63 | 280 | 210 | 230 | 160 |
| 16   | 364 | 224 | 63 | 350 | 210 | 300 | 160 |

Three Phase & Neutral Sheet steel, powder coated DB's for MCB's, fitted with Bus Bar, Neutral Link, Earth Bar and Din Rail (confirms to IS : 13032 - 1991) .

| Ways | Item Code | To Accommodate |
|------|-----------|----------------|
| 04   | DXDBTD04  | 12 Nos. SP MCB |
| 06   | DXDBTD06  | 18 Nos. SP MCB |
| 08   | DXDBTD08  | 24 Nos. SP MCB |
| 12   | DXDBTD12  | 36 Nos. SP MCB |

### Dimension Details

| Ways | A   | B   | C  | D   | E   | F   | G   |
|------|-----|-----|----|-----|-----|-----|-----|
| 04   | 309 | 459 | 86 | 295 | 445 | 225 | 375 |
| 06   | 344 | 459 | 86 | 330 | 445 | 260 | 375 |
| 08   | 414 | 459 | 86 | 400 | 445 | 330 | 375 |
| 12   | 554 | 459 | 86 | 540 | 445 | 470 | 375 |

Single Phase and Neutral Sheet Steel Powder Coated Double Door Distribution System fitted with two cover-one screwed cover for incoming and out going for MCB, and second for protection of MCB's, fitted with Bus Bar, Neutral Link, Earth Bar and Din Rail. Suitable for use on 240/415v, 50Hz Supply.

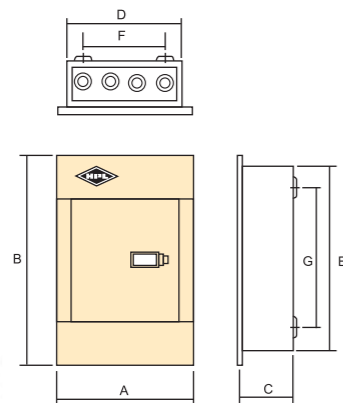
| Ways | Item Code | To Accommodate |
|------|-----------|----------------|
| 04   | DBDD04    | 04 Nos. SP MCB |
| 06   | DBDD06    | 06 Nos. SP MCB |
| 08   | DBDD08    | 08 Nos. SP MCB |
| 12   | DBDD12    | 12 Nos. SP MCB |
| 16   | DBDD16    | 16 Nos. SP MCB |

### Dimension Details

| Ways | A   | B   | C  | D   | E   | F   | G   |
|------|-----|-----|----|-----|-----|-----|-----|
| 04   | 165 | 235 | 86 | 140 | 210 | 90  | 160 |
| 06   | 200 | 235 | 86 | 175 | 210 | 125 | 160 |
| 08   | 235 | 235 | 86 | 210 | 210 | 160 | 160 |
| 12   | 305 | 235 | 86 | 280 | 210 | 230 | 160 |
| 16   | 375 | 235 | 86 | 350 | 210 | 300 | 160 |



### Versatile Double Door TP & N Distribution System



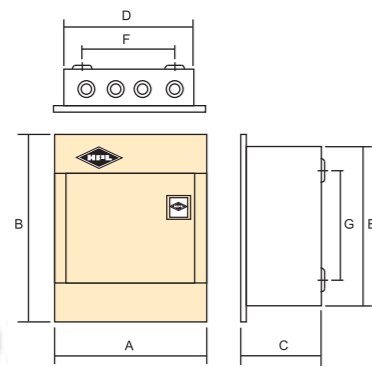
Three Phase and Neutral Sheet Steel Powder Coated Double Door Distribution System, fitted with two cover, one screwed cover for incoming and outgoing MCB's and second for protection of MCB's fitted with Bus Bar neutral link Earth Bar and Din Rail. Suitable for use on 240/415V, 50Hz Supply.

| Ways | Item Code | To Accommodate |
|------|-----------|----------------|
| 04   | DBTDD04   | 12 Nos. SP MCB |
| 06   | DBTDD06   | 18 Nos. SP MCB |
| 08   | DBTDD08   | 24 Nos. SP MCB |
| 12   | DBTDD12   | 36 Nos. SP MCB |

#### Dimension Details

| Ways | A   | B   | C  | D   | E   | F   | G   |
|------|-----|-----|----|-----|-----|-----|-----|
| 04   | 320 | 470 | 86 | 295 | 445 | 225 | 375 |
| 06   | 355 | 470 | 86 | 330 | 445 | 260 | 375 |
| 08   | 425 | 470 | 86 | 400 | 445 | 330 | 375 |
| 12   | 565 | 470 | 86 | 540 | 445 | 470 | 375 |

### Stainless Steel Double Door SP & N Distribution



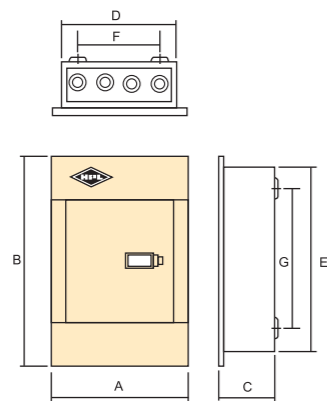
Single Phase and Neutral Sheet Steel Powder Coated Double Door Distribution System fitted with two stainless steel cover-one screwed cover for incoming and out going for MCB and second for protection of MCB's, fitted with Bus Bar, Neutral Link, Earth Bar and Din Rail. Suitable for use on 240/415v, 50Hz Supply.

| Ways | Item Code | To Accommodate |
|------|-----------|----------------|
| 04   | DBDD04-SS | 04 Nos. SP MCB |
| 06   | DBDD06-SS | 06 Nos. SP MCB |
| 08   | DBDD08-SS | 08 Nos. SP MCB |
| 12   | DBDD12-SS | 12 Nos. SP MCB |
| 16   | DBDD16-SS | 16 Nos. SP MCB |

#### Dimension Details

| Ways | A   | B   | C  | D   | E   | F   | G   |
|------|-----|-----|----|-----|-----|-----|-----|
| 04   | 165 | 235 | 86 | 140 | 210 | 90  | 160 |
| 06   | 200 | 235 | 86 | 175 | 210 | 125 | 160 |
| 08   | 235 | 235 | 86 | 210 | 210 | 160 | 160 |
| 12   | 305 | 235 | 86 | 280 | 210 | 230 | 160 |
| 16   | 375 | 235 | 86 | 350 | 210 | 300 | 160 |

### Stainless Steel Double Door TP & N Distribution



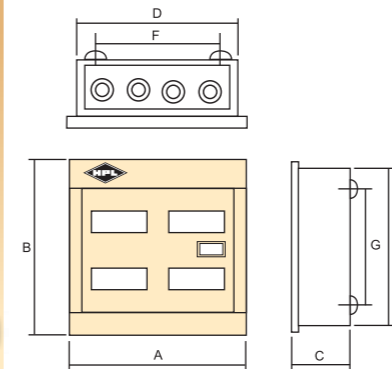
Three Phase and Neutral Sheet Steel Powder Coated Double Door Distribution System, fitted with two stainless steel cover, one screwed cover for incoming and outgoing MCB's and second for protection of MCB's fitted with Bus Bar neutral link Earth Bar and Din Rail. Suitable for use on 240/415V, 50Hz Supply.

| Ways | Item Code  | To Accommodate |
|------|------------|----------------|
| 04   | DBTDD04-SS | 12 Nos. SP MCB |
| 06   | DBTDD06-SS | 18 Nos. SP MCB |
| 08   | DBTDD08-SS | 24 Nos. SP MCB |
| 12   | DBTDD12-SS | 36 Nos. SP MCB |

#### Dimension Details

| Ways | A   | B   | C  | D   | E   | F   | G   |
|------|-----|-----|----|-----|-----|-----|-----|
| 04   | 320 | 470 | 86 | 295 | 445 | 225 | 375 |
| 06   | 355 | 470 | 86 | 330 | 445 | 260 | 375 |
| 08   | 425 | 470 | 86 | 400 | 445 | 330 | 375 |
| 12   | 565 | 470 | 86 | 540 | 445 | 470 | 375 |

### Versatile Double Door TP & N Distribution System with Acrylic Cover



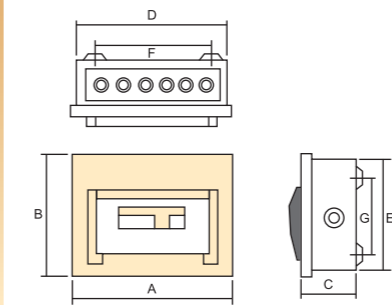
Three Phase and Neutral Sheet Steel Powder Coated Double Door Distribution System, fitted with two cover, one screwed cover for incoming and outgoing MCB's and second for protection of MCB's fitted with Bus Bar neutral link Earth Bar and Din Rail. Suitable for use on 240/415V, 50Hz Supply.

| Ways | Item Code | To Accommodate |
|------|-----------|----------------|
| 04   | DBTDDA04  | 12 Nos. SP MCB |
| 06   | DBTDDA06  | 18 Nos. SP MCB |
| 08   | DBTDDA08  | 24 Nos. SP MCB |
| 12   | DBTDDA12  | 36 Nos. SP MCB |

#### Dimension Details

| Ways | A   | B   | C  | D   | E   | F   | G   |
|------|-----|-----|----|-----|-----|-----|-----|
| 04   | 320 | 470 | 86 | 295 | 445 | 225 | 375 |
| 06   | 355 | 470 | 86 | 330 | 445 | 260 | 375 |
| 08   | 425 | 470 | 86 | 400 | 445 | 330 | 375 |
| 12   | 565 | 470 | 86 | 540 | 445 | 470 | 375 |

### Consumer Unit with Acrylic Cover Fitted with 63A DP Isolator



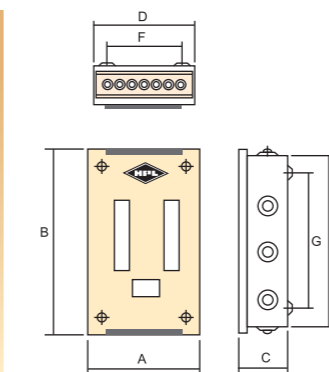
Single Phase and Neutral Sheet Steel Powder Coated Distribution System with Acrylic transparent cover for protection of MCB's fitted with/ without DP Isolator or ELCB as incomer and fitted with Bus Bar, Neutral Link, Earth Bar and Din Rail. Suitable for use on 240/415V, 50Hz Supply.

| Ways | Item Code  | To Accommodate |
|------|------------|----------------|
| 2+04 | DBCUSP0463 | 04 Nos. SP MCB |
| 2+06 | DBCUSP0663 | 06 Nos. SP MCB |
| 2+08 | DBCUSP0863 | 08 Nos. SP MCB |
| 2+10 | DBCUSP1063 | 10 Nos. SP MCB |
| 2+12 | DBCUSP1263 | 12 Nos. SP MCB |

#### Dimension Details

| Ways | A   | B   | C  | D   | E   | F   | G   |
|------|-----|-----|----|-----|-----|-----|-----|
| 2+04 | 224 | 224 | 63 | 210 | 210 | 160 | 160 |
| 2+06 | 259 | 224 | 63 | 245 | 210 | 195 | 160 |
| 2+08 | 294 | 224 | 63 | 280 | 210 | 230 | 160 |
| 2+10 | 329 | 224 | 63 | 315 | 210 | 265 | 160 |
| 2+12 | 364 | 224 | 63 | 350 | 210 | 300 | 160 |

### Vertical Single Door TP & N Distribution System Fitted with 63 Amps. FP Isolator



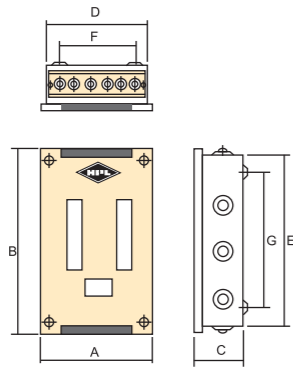
Three Phase and Neutral Sheet Steel Powder Coated Distribution System for single/multi phase out going fitted with Colour coated Bus Bar, Neutral Link, Earth Bar and Din Rail. Suitable for use on 240/415V, 50Hz Supply.

| Ways | Item Code  | To Accommodate                   |
|------|------------|----------------------------------|
| 04   | DBVSD04I63 | 12 Nos. SP MCB or 04 Nos. TP MCB |
| 08   | DBVSD08I63 | 24 Nos. SP MCB or 08 Nos. TP MCB |
| 12   | DBVSD12I63 | 36 Nos. SP MCB or 12 Nos. TP MCB |

#### Dimension Details

| Ways | A   | B   | C  | D   | E   | F   | G   |
|------|-----|-----|----|-----|-----|-----|-----|
| 04   | 384 | 459 | 90 | 370 | 445 | 300 | 375 |
| 08   | 384 | 564 | 90 | 370 | 550 | 300 | 480 |
| 12   | 384 | 669 | 90 | 370 | 655 | 300 | 585 |

**Versatile Single Door TP & N Distribution System suitable for MCCB as incomer**



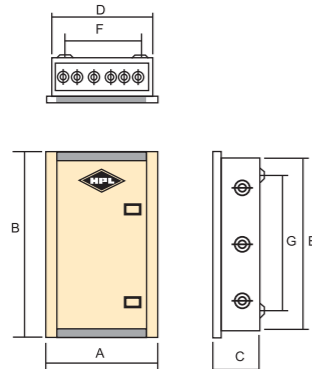
Three Phase and Neutral Sheet Steel Powder Coated Distribution System for single/multi phase out going fitted with Colour coated Bus Bar, Neutral Link, Earth Bar and Din Rail. Suitable for use on 240/415v, 50Hz Supply. (To suit DU100 MCCB of HPL make).

| Ways | Item Code  | To Accommodate                   |
|------|------------|----------------------------------|
| 04   | DBVSD04100 | 12 Nos. SP MCB or 04 Nos. TP MCB |
| 08   | DBVSD08100 | 24 Nos. SP MCB or 08 Nos. TP MCB |
| 12   | DBVSD12100 | 36 Nos. SP MCB or 12 Nos. TP MCB |

**Dimension Details**

| Ways | A   | B   | C  | D   | E   | F   | G   |
|------|-----|-----|----|-----|-----|-----|-----|
| 04   | 384 | 509 | 90 | 370 | 495 | 300 | 425 |
| 08   | 384 | 614 | 90 | 370 | 600 | 300 | 530 |
| 12   | 384 | 719 | 90 | 370 | 705 | 300 | 635 |

**Vertical Double Door TP & N Distribution System Fitted with 63 Amps FP Isolator**



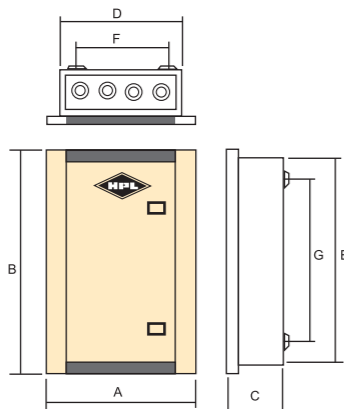
Three Phase & Neutral Sheet Steel Powder Coated Double Door Vertical Distribution System, fitted with two cover one screwed cover for incoming and outgoing MCB's and the second for protection of MCB's fitted with Colour coated Bus Bar, Neutral link, Earth Bar & Din Rail. Suitable for use on 240/415V, 50Hz Supply.

| Ways | Item Code  | To Accommodate                   |
|------|------------|----------------------------------|
| 04   | DBVDD04I63 | 12 Nos. SP MCB or 04 Nos. TP MCB |
| 08   | DBVDD08I63 | 24 Nos. SP MCB or 08 Nos. TP MCB |
| 12   | DBVDD12I63 | 36 Nos. SP MCB or 12 Nos. TP MCB |

**Dimension Details**

| Ways | A   | B   | C   | D   | E   | F   | G   |
|------|-----|-----|-----|-----|-----|-----|-----|
| 04   | 395 | 470 | 110 | 370 | 445 | 300 | 375 |
| 08   | 395 | 575 | 110 | 370 | 550 | 300 | 480 |
| 12   | 395 | 680 | 110 | 370 | 655 | 300 | 585 |

**Vertical Double Door TP & N Distribution System Suitable for MCCB as incomer**



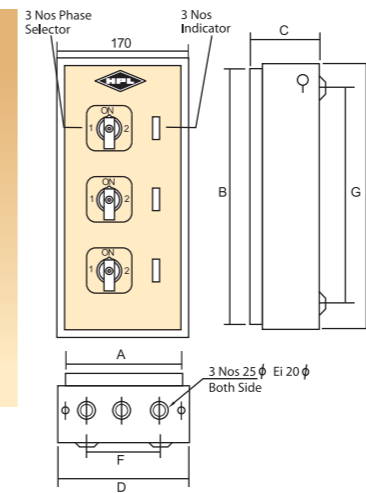
Three Phase & Neutral Sheet Steel Powder Coated Double Door Vertical Distribution System, fitted with two cover one screwed cover for incoming and outgoing MCB's and the second for protection of MCB's fitted with Colour coated Bus Bar, Neutral link, Earth Bar & Din Rail. Suitable for use on 240/415V, 50Hz Supply. (To suit DU100 MCCB of HPL make).

| Ways | Item Code  | To Accommodate                   |
|------|------------|----------------------------------|
| 04   | DBVDD04100 | 12 Nos. SP MCB or 04 Nos. TP MCB |
| 08   | DBVDD08100 | 24 Nos. SP MCB or 08 Nos. TP MCB |
| 12   | DBVDD12100 | 36 Nos. SP MCB or 12 Nos. TP MCB |

**Dimension Details**

| Ways | A   | B   | C   | D   | E   | F   | G   |
|------|-----|-----|-----|-----|-----|-----|-----|
| 04   | 395 | 520 | 110 | 370 | 495 | 300 | 425 |
| 08   | 395 | 625 | 110 | 370 | 600 | 300 | 530 |
| 12   | 395 | 730 | 110 | 370 | 705 | 300 | 635 |

**Phase Selector Distribution System**



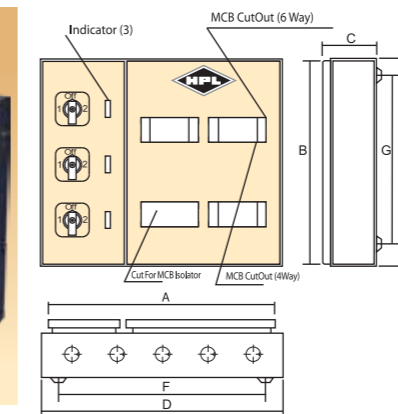
Phase Selector Distribution Board in Sheet Steel Enclosure, Powder Coated has 3Nos HPL-Elektra selector switches with indicating lights. Suitable for use on 240/415V, 50Hz Supply.

**Dimension Details**

| Amps | A   | B   | C  | D   | E   | F  | G   |
|------|-----|-----|----|-----|-----|----|-----|
| 40   | 155 | 375 | 80 | 160 | 380 | 90 | 310 |
| 63   | 155 | 375 | 80 | 160 | 380 | 90 | 310 |

| Discription        | Item Code  |
|--------------------|------------|
| 40A, IP + 3W + Off | HPSDB40913 |
| 63A, IP + 3W + Off | HPSDB63913 |

**Phase Selector Single Door - Distribution System**



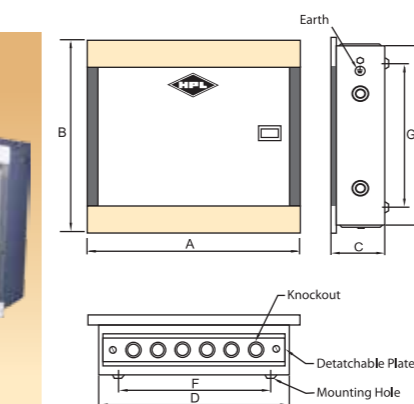
Phase Selector Distribution System in Sheet Steel Enclosure, Powder Coated has two separate compartments, one fitted with 3Nos. HPL-Elektra selector switches with indicating lights duly wired and other one for outgoing MCB's and also provision for 4 pole ELCB/MCB/Isolator. fitted with Bus Bar, Neutral Link, Earth Bar and DIN Rail. Suitable for use on 240/415V, 50Hz Supply.

**Dimension Details**

| Ways | Item Code | To Accommodate |
|------|-----------|----------------|
| 04   | PSDBSD440 | 12 Nos. SP MCB |
| 06   | PSDBSD640 | 18 Nos. SP MCB |
| 08   | PSDBSD840 | 24 Nos. SP MCB |
| 04   | PSDBSD463 | 12 Nos. SP MCB |
| 06   | PSDBSD663 | 18 Nos. SP MCB |
| 08   | PSDBSD863 | 24 Nos. SP MCB |

| Ways | Amp. | A   | B   | C   | D   | E   | F   | G   |
|------|------|-----|-----|-----|-----|-----|-----|-----|
| 04   | 40   | 442 | 375 | 100 | 450 | 380 | 380 | 310 |
| 06   | 40   | 442 | 375 | 100 | 450 | 380 | 380 | 310 |
| 08   | 40   | 510 | 375 | 100 | 520 | 380 | 450 | 310 |
| 04   | 63   | 442 | 375 | 100 | 450 | 380 | 380 | 310 |
| 06   | 63   | 442 | 375 | 100 | 450 | 380 | 380 | 310 |
| 08   | 63   | 510 | 375 | 100 | 520 | 380 | 450 | 310 |

**Phase Selector Double Door - Distribution System**



Double door Phase Selector Distribution System in Sheet Steel Enclosure, Powder Coated, Fitted with Bus Bar, Neutral Link, Earth Bar DB consists of 3 Nos. HPL-Elektra selector switches with/without 63A, Three pole Isolators and indicating lights duly wired suitable for use on 240/415V, 50Hz Supply. Also available in Acrylic Cover only on special demand

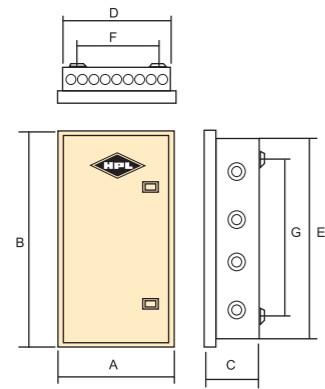
**Dimension Details**

| Ways | Item Code | To Accommodate |
|------|-----------|----------------|
| 04   | PSDBDD440 | 12 Nos. SP MCB |
| 06   | PSDBDD640 | 18 Nos. SP MCB |
| 08   | PSDBDD840 | 24 Nos. SP MCB |
| 04   | PSDBDD463 | 12 Nos. SP MCB |
| 06   | PSDBDD663 | 18 Nos. SP MCB |
| 08   | PSDBDD863 | 24 Nos. SP MCB |

| Ways | Amp. | A   | B   | C   | D   | E   | F   | G   |
|------|------|-----|-----|-----|-----|-----|-----|-----|
| 04   | 40   | 495 | 435 | 136 | 475 | 407 | 415 | 315 |
| 06   | 40   | 495 | 435 | 136 | 475 | 407 | 415 | 315 |
| 08   | 40   | 548 | 435 | 136 | 530 | 407 | 415 | 315 |
| 04   | 63   | 495 | 435 | 136 | 475 | 407 | 415 | 315 |
| 06   | 63   | 495 | 435 | 136 | 475 | 407 | 415 | 315 |
| 08   | 63   | 548 | 435 | 136 | 530 | 407 | 415 | 315 |



### TPN Per Phase Isolation Double Door Distribution System

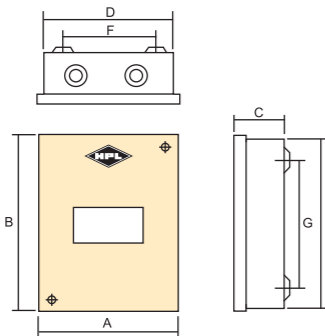


Three Phase & Neutral Sheet Steel Powder coated Double Door Distribution system, fitted with Bus Bar, Neutral Link, Earth Bar, suitable for use on 240 / 415V, 50 Hz supply. With provision of 4 pole, Iso + RCCB / MCB + RCCB at incommer, 2 pole ELCB in each phase & SP outgoing.

#### Dimension Details

| Ways | Item Code | A   | B   | C  | D   | E   | F   | G   |
|------|-----------|-----|-----|----|-----|-----|-----|-----|
| 2+4  | DBPPI04   | 335 | 740 | 90 | 315 | 720 | 232 | 642 |
| 2+6  | DBPPI06   | 335 | 740 | 90 | 315 | 720 | 232 | 642 |
| 2+8  | DBPPI08   | 376 | 740 | 90 | 355 | 720 | 272 | 642 |
| 2+10 | DBPPI10   | 405 | 740 | 90 | 385 | 720 | 310 | 642 |
| 2+12 | DBPPI12   | 447 | 740 | 90 | 424 | 720 | 343 | 642 |

### MCB Cut Out Sheet Metal



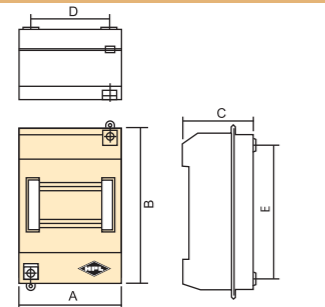
Sheet Steel Cut Out for MCB's. Suitable for use on 240/415V, 50Hz Supply.

| Ways   | Item Code | To Accommodate |
|--------|-----------|----------------|
| 2 Pole | DBSS02    | 2 Nos. SP MCB  |
| 4 Pole | DBSS04    | 4 Nos. SP MCB  |

#### Dimension Details

| Ways   | A   | B   | C  | D   | E   | F  | G   |
|--------|-----|-----|----|-----|-----|----|-----|
| 2 Pole | 85  | 155 | 63 | 75  | 145 | 35 | 105 |
| 4 Pole | 115 | 155 | 63 | 104 | 145 | 62 | 103 |

### MCB Cut Out Plastic



Industrial Plastic Moulded Cut Out for MCB's. Suitable for use on 240/415V, 50Hz Supply.

| Ways   | Item Code | To Accommodate |
|--------|-----------|----------------|
| 2 Pole | DBPE02    | 2 Nos. SP MCB  |
| 4 Pole | DBPE04    | 4 Nos. SP MCB  |

#### Dimension Details

| Ways   | A  | B   | C  | D  | E   |
|--------|----|-----|----|----|-----|
| 2 Pole | 52 | 131 | 60 | 36 | 113 |
| 4 Pole | 87 | 131 | 60 | 71 | 113 |

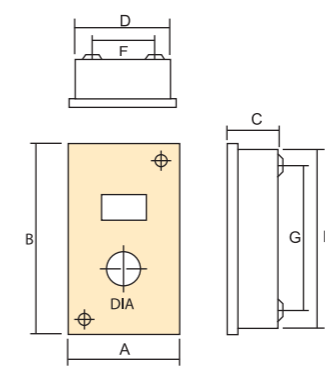
### MID-TRIP MCB



#### Salient Features

- Range : 0.5 to 100 Amps 240/415V
- Available in SP, SPN, DP, TP, TPN & FP
- Breaking capacity 10KA
- Mid trip facility
- Protection against Short Circuit & Over load
- Low let through energy & low watt loss
- Trip free Mechanism
- Available in B, C & D Curve

### Plug & Socket Distribution Board



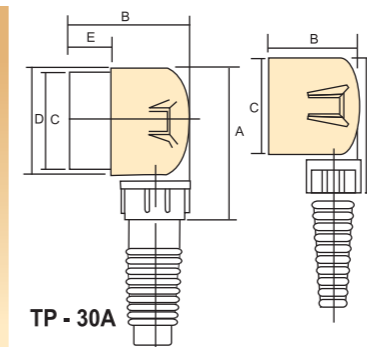
Metal Clad Plug & Socket Distribution Board fitted with DIN channel and Indication light. Suitable for use on 240/415V, 50Hz Supply.

| Rating | Fitted with        | Item Code | To Accommodate |
|--------|--------------------|-----------|----------------|
| 10A    | 2Pin Plug & Socket | DBSP10    | 10A SP MCB     |
| 20A    | 2Pin Plug & Socket | DBSP20    | 20A SP MCB     |
| 10A    | 2Pin Plug & Socket | DBDP10    | 10A DP MCB     |
| 20A    | 2Pin Plug & Socket | DBDP20    | 20A DP MCB     |
| 20A    | 3Pin Plug & Socket | DBTP20    | 20A TP MCB     |
| 30A    | 3Pin Plug & Socket | DBTP30    | 30A TP MCB     |

#### Dimension Details

| Type | Amp.  | A   | B   | C  | D   | E   | F  | G   | DIA |
|------|-------|-----|-----|----|-----|-----|----|-----|-----|
| SP   | 10Amp | 132 | 160 | 62 | 122 | 152 | 80 | 106 | 46  |
|      | 20Amp | 132 | 160 | 62 | 122 | 152 | 80 | 106 | 55  |
| DP   | 10Amp | 132 | 160 | 62 | 122 | 152 | 80 | 106 | 46  |
|      | 20Amp | 132 | 160 | 62 | 122 | 152 | 80 | 106 | 55  |
| TP   | 20Amp | 136 | 290 | 62 | 122 | 277 | 80 | 230 | 62  |
|      | 30Amp | 136 | 290 | 62 | 122 | 277 | 80 | 230 | 69  |

### Plug - SP & TP



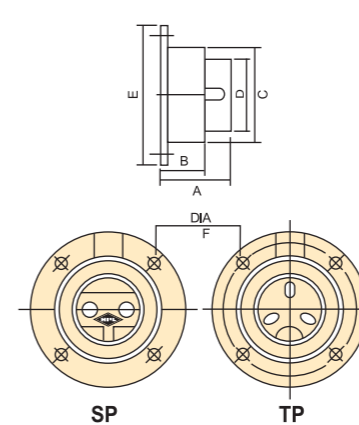
Plug in Aluminium Die-cast body fitted with brass pins with Protection Sleeve for connecting leads. Suitable for use on 240/415V, 50Hz Supply.

#### Dimension Details

| Type | Rating | A  | B  | C  | D  | E  | F | G |
|------|--------|----|----|----|----|----|---|---|
| SP   | 10Amp  | 56 | 36 | 39 | -  | -  | - | - |
|      | 20Amp  | 67 | 43 | 47 | -  | -  | - | - |
| TP   | 20Amp  | 72 | 43 | 52 | -  | -  | - | - |
|      | 30Amp  | 92 | 83 | 63 | 66 | 28 | - | - |

| Plug Rating & Type | Item Code |
|--------------------|-----------|
| 10A SP             | HP2P10    |
| 20A SP             | HP2P20    |
| 20A TP             | HP3P20    |
| 30A TP             | HP3P30    |

### Socket - SP and TP



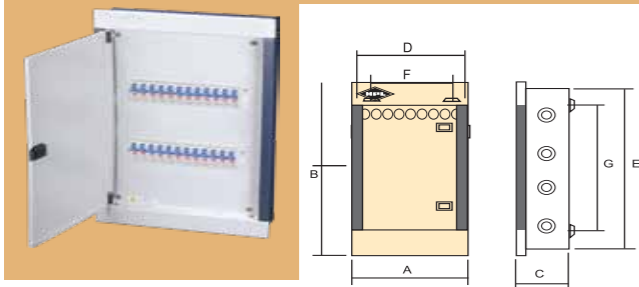
Socket in Aluminium Die-cast body fitted with DMC/Porcelain base. Suitable for use on 240/415V, 50Hz Supply.

#### Dimension Details

| Type | Amp   | A  | B  | C  | D  | E  | F  | DIA |
|------|-------|----|----|----|----|----|----|-----|
| SP   | 10Amp | 27 | 15 | 44 | 35 | 57 | 36 | 5   |
|      | 20Amp | 38 | 25 | 53 | 41 | 68 | 43 | 5   |
| TP   | 20Amp | 42 | 26 | 62 | 47 | 75 | 48 | 5   |
|      | 30Amp | 55 | 33 | 69 | 57 | 84 | 54 | 5   |

| Socket Rating & Type | Item Code |
|----------------------|-----------|
| 10A SP               | HS2P10    |
| 20A SP               | HS2P20    |
| 20A TP               | HS3P20    |
| 30A TP               | HS3P30    |

**TIER DB DOUBL ROW-DOUBLE DOOR**



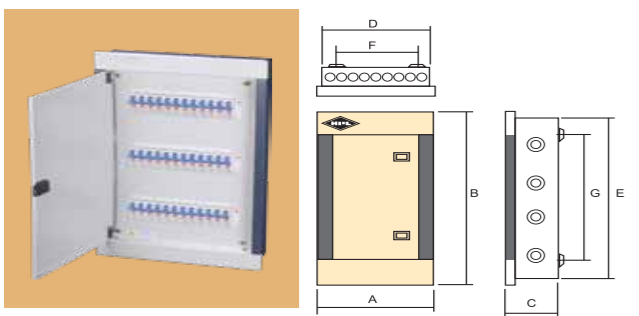
Single row, sheet steel powder coated Single / Double door Distribution system, fitted with Bus-bar, Neutral bar, Earth bar suitable for use on

| Ways | Item Code | To Accommodate |
|------|-----------|----------------|
| 10   | DBDDR10   | 4 Nos. SP MCB  |
| 12   | DBDDR12   | 10 Nos. SP MCB |
| 14   | DBDDR14   | 12 Nos. SP MCB |
| 16   | DBDDR16   | 14 Nos. SP MCB |

| Ways | A   | B   | C  | D   | E   | F   | G   |
|------|-----|-----|----|-----|-----|-----|-----|
| 10   | 315 | 385 | 86 | 290 | 360 | 210 | 280 |
| 12   | 350 | 385 | 86 | 325 | 360 | 245 | 280 |
| 14   | 385 | 385 | 86 | 360 | 360 | 280 | 280 |
| 16   | 420 | 385 | 86 | 395 | 360 | 315 | 280 |

**TIER DB TRIPLE ROW-DOUBLE DOOR**



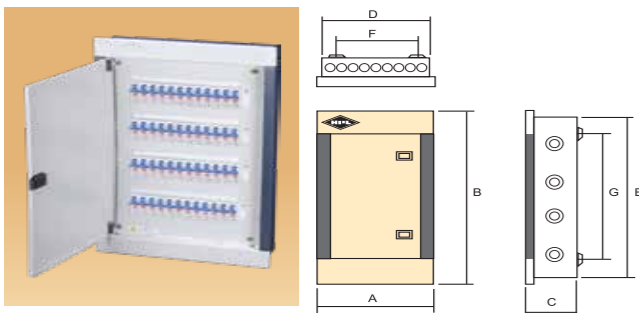
Tripple row, sheet steel powder coated Single / Double door Distribution system, fitted with Bus-bar, Neutral bar, Earth bar suitable for use on 240V, 50 Hz supply, SP/MP outgoing.

| Ways | Item Code | To Accommodate |
|------|-----------|----------------|
| 10   | DBDDRT10  | 10 Nos. SP MCB |
| 12   | DBDDRT12  | 12 Nos. SP MCB |
| 14   | DBDDRT14  | 14 Nos. SP MCB |
| 16   | DBDDRT16  | 16 Nos. SP MCB |

| Ways | A   | B   | C  | D   | E   | F   | G   |
|------|-----|-----|----|-----|-----|-----|-----|
| 10   | 350 | 535 | 86 | 325 | 510 | 225 | 430 |
| 12   | 385 | 535 | 86 | 360 | 510 | 260 | 430 |
| 14   | 420 | 535 | 86 | 395 | 510 | 295 | 430 |
| 16   | 455 | 535 | 86 | 430 | 510 | 330 | 430 |

**TIER DB FOUR ROW-DOUBLE DOOR**



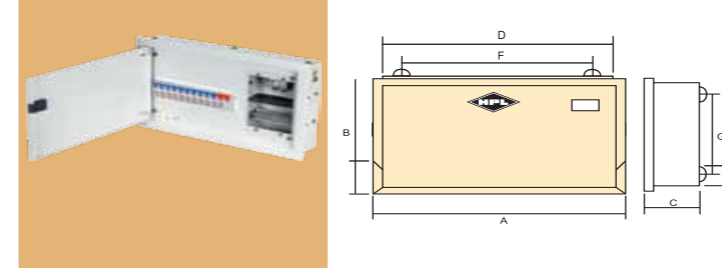
Four row, sheet steel powder coated Single / Double door Distribution system, fitted with Bus-bar, Neutral bar, Earth bar suitable for use on 240V, 50 Hz supply, SP/MP outgoing.

| Ways | Item Code | To Accommodate |
|------|-----------|----------------|
| 10   | DBDDRF10  | 10 Nos. SP MCB |
| 12   | DBDDRF12  | 12 Nos. SP MCB |
| 14   | DBDDRF14  | 14 Nos. SP MCB |
| 16   | DBDDRF16  | 16 Nos. SP MCB |

| Ways | A   | B   | C  | D   | E   | F   | G   |
|------|-----|-----|----|-----|-----|-----|-----|
| 10   | 385 | 685 | 86 | 360 | 660 | 260 | 580 |
| 12   | 420 | 685 | 86 | 395 | 660 | 295 | 580 |
| 14   | 455 | 685 | 86 | 430 | 660 | 330 | 580 |
| 16   | 490 | 685 | 86 | 465 | 660 | 365 | 580 |

**TV / TEL SOCKET DB'S**



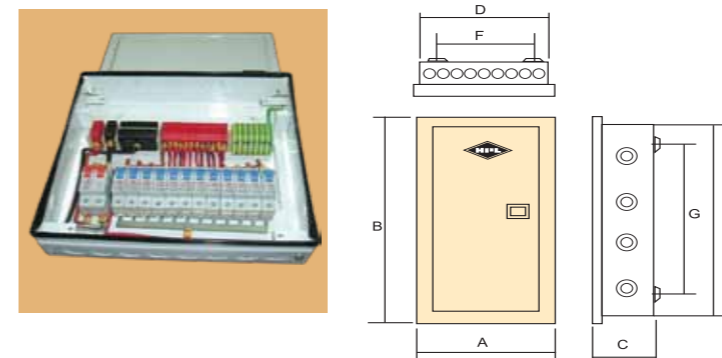
Double door sheet steel powder coated Distribution system, fitted with

| Ways | Item Code    | To Accommodate                     |
|------|--------------|------------------------------------|
| 2+10 | DBDDTVTL2+10 | 10 Nos. SP MCB + 1 No. DP Isolator |
| 2+12 | DBDDTVTL2+12 | 12 Nos. SP MCB + 1 No. DP Isolator |
| 2+14 | DBDDTVTL2+14 | 14 Nos. SP MCB + 1 No. DP Isolator |
| 2+16 | DBDDTVTL2+16 | 16 Nos. SP MCB + 1 No. DP Isolator |

**Dimension Details**

| Ways  | A   | B   | C  | D   | E   | F   | G   |
|-------|-----|-----|----|-----|-----|-----|-----|
| 2+6   | 375 | 265 | 83 | 350 | 240 | 300 | 190 |
| 2+8   | 410 | 265 | 83 | 385 | 240 | 335 | 190 |
| 2+10  | 445 | 265 | 83 | 420 | 240 | 370 | 190 |
| 2+12  | 480 | 265 | 83 | 455 | 240 | 405 | 190 |
| 9+9   | 400 | 425 | 83 | 375 | 400 | 310 | 290 |
| 12+12 | 475 | 425 | 83 | 450 | 400 | 390 | 290 |

**PRE-WIRED DB'S**



SPN / TPN Double door sheet steel powder coated distribution system, fitted with Bus-bar, Terminal blocks for incoming / outgoing phase, Neutral & Earthing duly wired with provision of ISO / RCCB / MCB at incoming & SP outgoing.

| Ways | Item Code  | To Accommodate                     |
|------|------------|------------------------------------|
| 2+04 | DBPWDDSP04 | 04 Nos. SP MCB + 1 No. DP Isolator |
| 2+06 | DBPWDDSP06 | 06 Nos. SP MCB + 1 No. DP Isolator |
| 2+08 | DBPWDDSP08 | 08 Nos. SP MCB + 1 No. DP Isolator |
| 2+10 | DBPWDDSP10 | 10 Nos. SP MCB + 1 No. DP Isolator |
| 2+12 | DBPWDDSP12 | 12 Nos. SP MCB + 1 No. DP Isolator |
| 2+16 | DBPWDDSP16 | 16 Nos. SP MCB + 1 No. DP Isolator |

**Dimension Details**

| Ways | A   | B   | C  | D   | E   | F   | G   |
|------|-----|-----|----|-----|-----|-----|-----|
| 2+04 | 220 | 370 | 98 | 200 | 350 | 120 | 270 |
| 2+06 | 255 | 370 | 98 | 235 | 350 | 155 | 270 |
| 2+08 | 290 | 370 | 98 | 270 | 350 | 190 | 270 |
| 2+10 | 325 | 370 | 98 | 305 | 350 | 225 | 270 |
| 2+12 | 360 | 370 | 98 | 340 | 350 | 260 | 270 |
| 2+16 | 430 | 370 | 98 | 410 | 350 | 330 | 270 |



**Designer Teakwood Finish Sheet Steel DB's**

# VRAJ LINK

HOUSE OF ON LOAD CHANGEOVER SWITCH & AUTOMATIC TRANSFER SWITCH

**AUTHORISED DISTRIBUTORS**



Admin Off.: Shop No. 17 Electric Crematorium 66/74, Chandan Wadi, Marine Lines(E),  
Mumbai-400 002. Tel. No. 022-22076173.

Email: [vrajlink05@gmail.com](mailto:vrajlink05@gmail.com) / [sales@vrajlink.com](mailto:sales@vrajlink.com) Website : [www.vrajlink.com](http://www.vrajlink.com)